

5-44GHz Detector

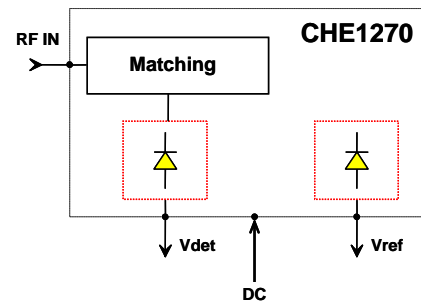
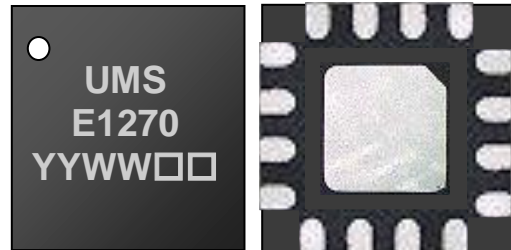
GaAs Monolithic Microwave IC in SMD leadless package

Description

The CHE1270-QAG is a detector that integrates a matched detector diode (V_{det}) and a reference diode (V_{ref}).

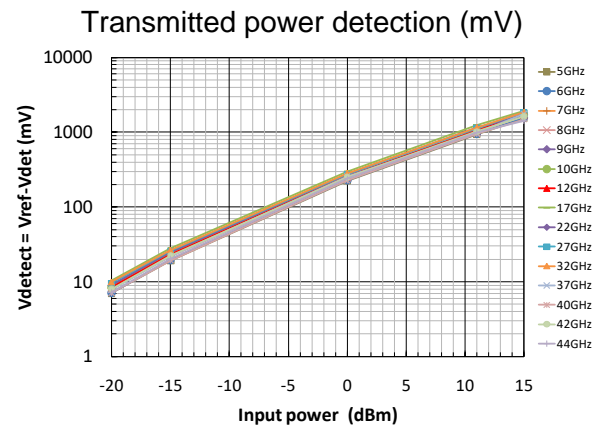
It is designed for a wide range of applications where an accurate transmitted power control is required, typically commercial communication systems.

The circuit is manufactured with a Schottky diode MMIC process, $1\mu\text{m}$ gate length, via holes through the substrate and air bridges. It is supplied in RoHS compliant SMD package.



Main Features

- Broadband performances: 5-44GHz
- 30dB dynamic range
- ESD protected
- 16L-QFN3x3
- MSL1



Main Characteristics

$T_{amb.} = +25^{\circ}\text{C}$, $V_{DC} = +4.5\text{V}$

Symbol	Parameter	Min	Typ	Max	Unit
Freq	Frequency range	5		44	GHz
Dr	Dynamic range	30			dB
RL	Return Loss		-10		dB

Main Characteristics

Tamb.= +25°C, VDC = +4.5V

Symbol	Parameter	Min	Typ	Max	Unit
F	Frequency range	5		44	GHz
Dr	Dynamic range (for Input Power detection)	30			dB
IPd	Input Power detection	-15		15	dBm
Vdetect	Voltage detection Vref – Vdet from IPd_min to IPd_max	5		2200	mV
RL	Return Loss (5 – 10GHz)		-5	-4	dB
	Return Loss (10 – 12GHz)		-8	-7	dB
	Return Loss (12 – 36GHz)		-10	-9	dB
	Return Loss (36 – 44GHz)		-8	-7	dB
VDC	Bias Voltage		4.5		V
IDC	Bias Current	50	70	90	μA

These values are representative of onboard measurements as defined in the paragraph "Evaluation mother board" with 27kΩ resistor in parallel on Vdet and Vref pads.

Absolute Maximum Ratings ⁽¹⁾

Tamb.= +25°C

Symbol	Parameter	Values	Unit
VDC	Bias voltage	6	V
P_max	Maximum Power	18	dBm
Ta	Operating temperature range	-40 to +95	°C
Tstg	Storage temperature range	-55 to +155	°C

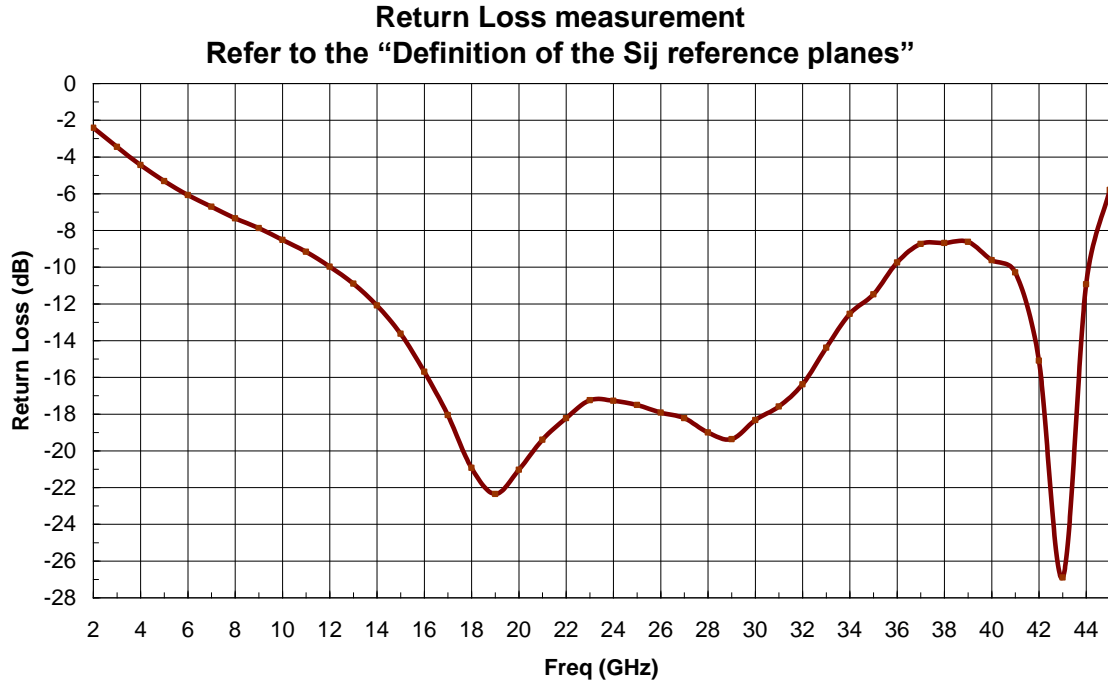
⁽¹⁾ Operation of this device above any one of these parameters may cause permanent damage.

Typical Measured Performances

Tamb.= +25°C, VDC = +4.5V

27kΩ resistor in parallel on Vdet and Vref pads (see Notes).

Board losses de-embedded (result given in the package access plan)



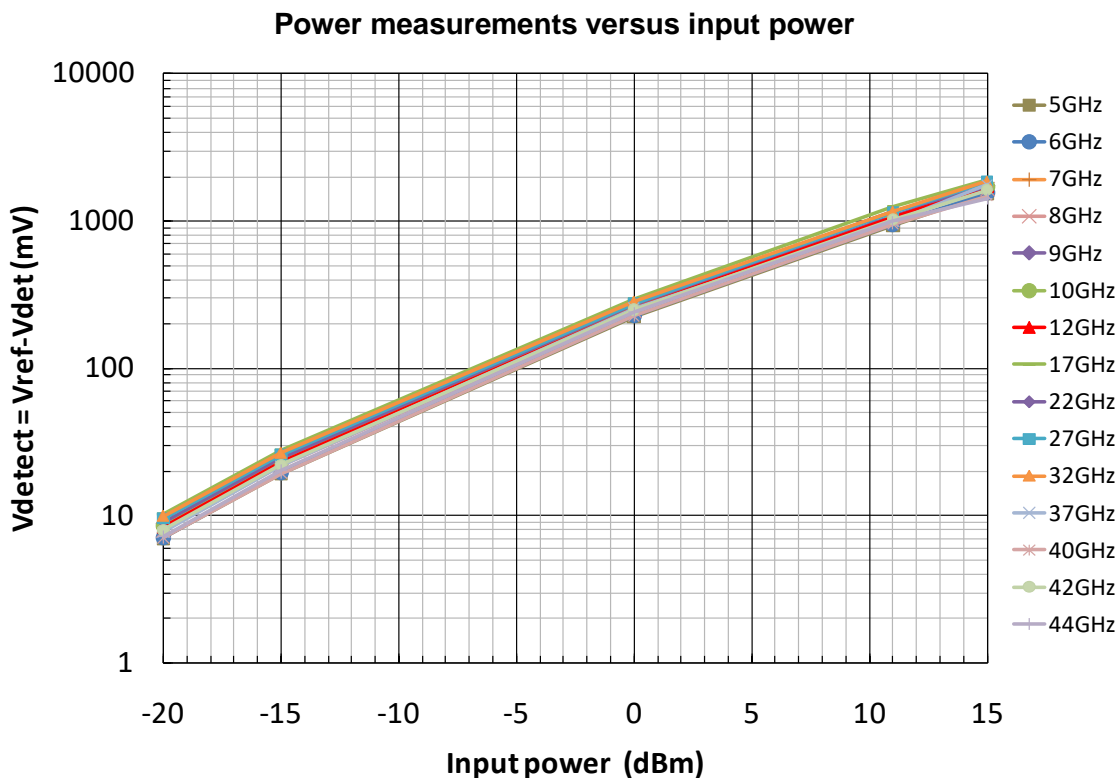
Typical Measured Performances

Tamb.= +25°C, VDC = +4.5V

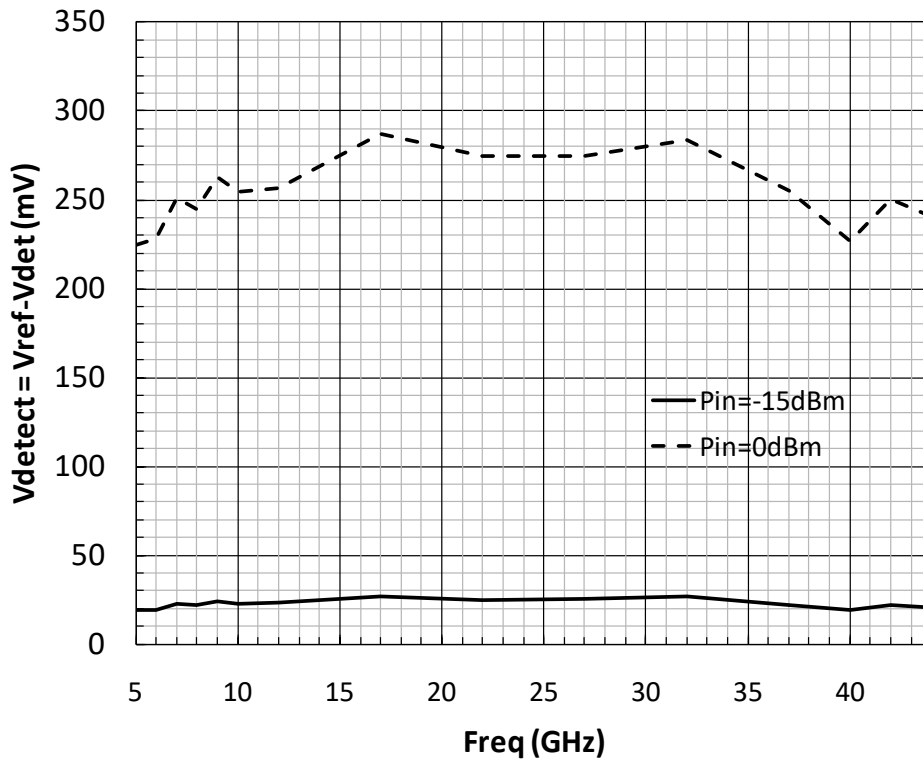
27kΩ resistor in parallel on Vdet and Vref pads (see Notes).

Board losses not de-embedded (result given in the plan of connectors)

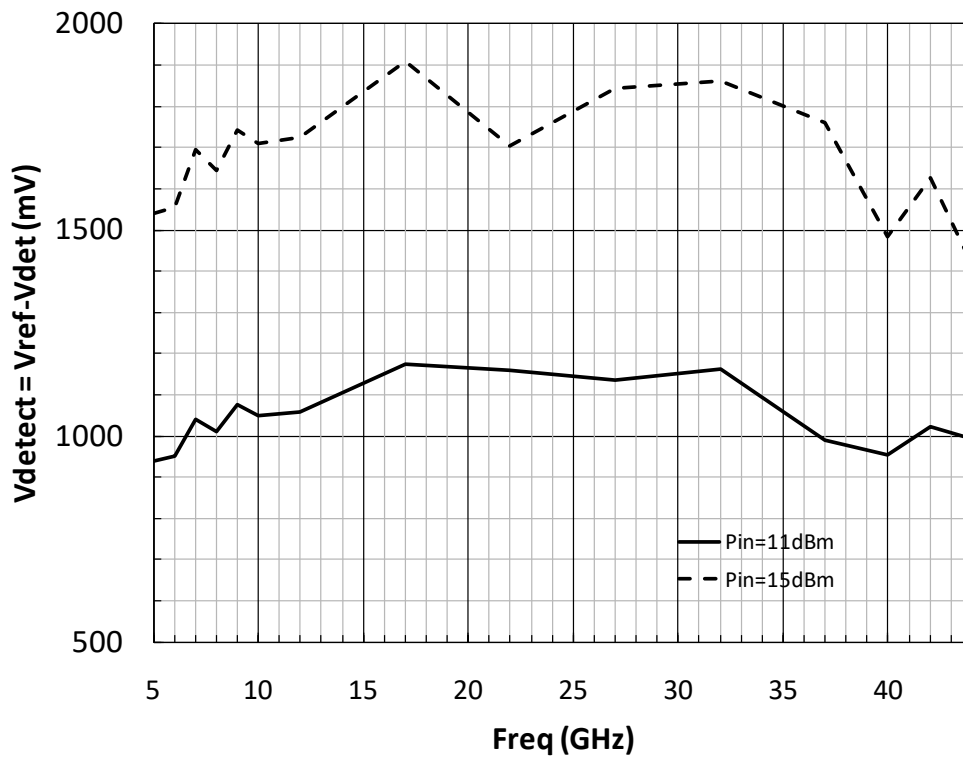
Refer to the proposed land pattern & board 96272-B (see "Evaluation mother board")



**Transmitted power detection versus frequency
@ -15 and 0dBm input power**



**Transmitted power detection versus frequency
@ +11 and +15dBm input power**

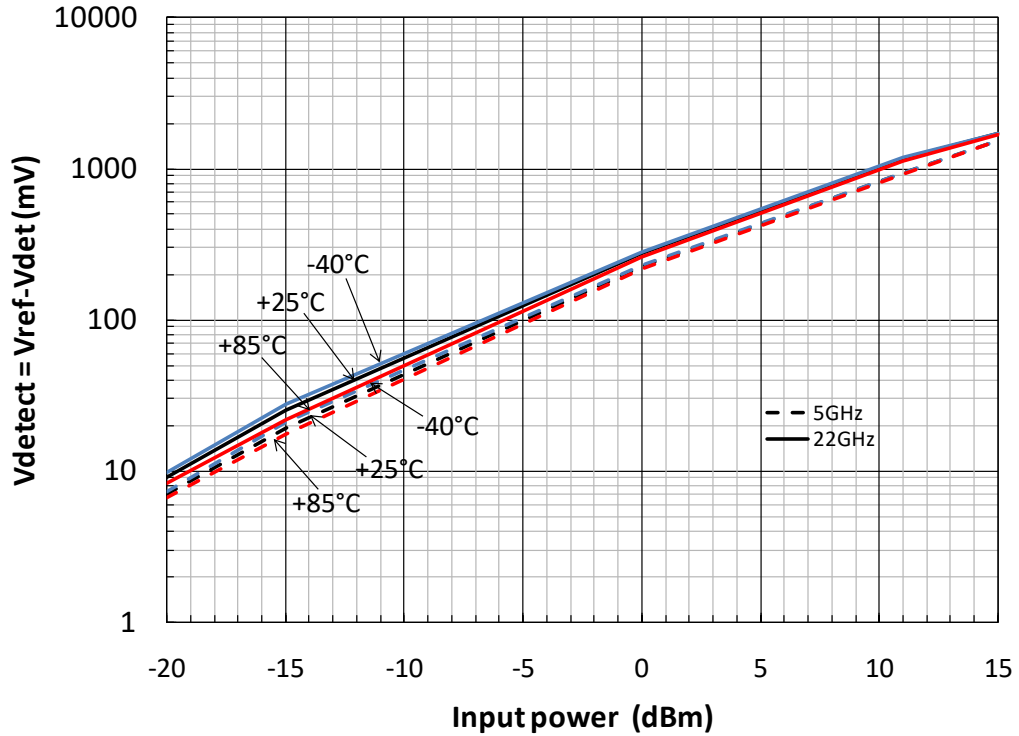


Typical Measured Performances

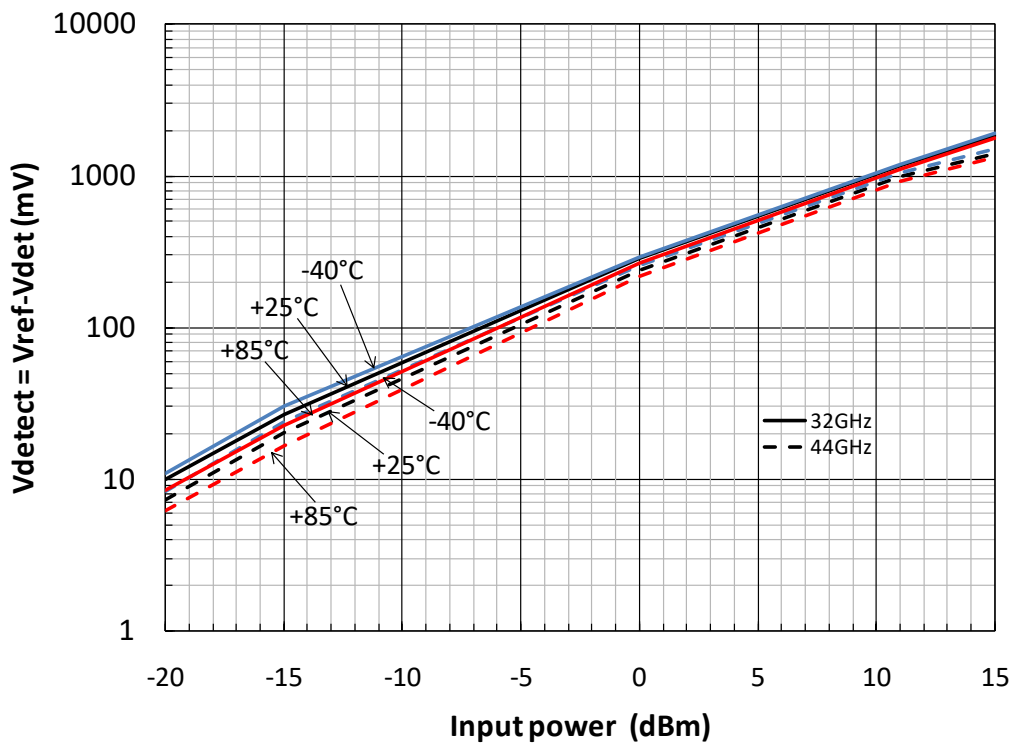
Tamb = +25°C, Tcold = -40°C, Thot = +85°C, VDC = +4.5V

Board losses not de-embedded (result given in the plan of connectors)

Transmitted power detection versus frequency and temperature @ 5 and 22GHz



Transmitted power detection versus frequency and temperature @ 32 and 44GHz

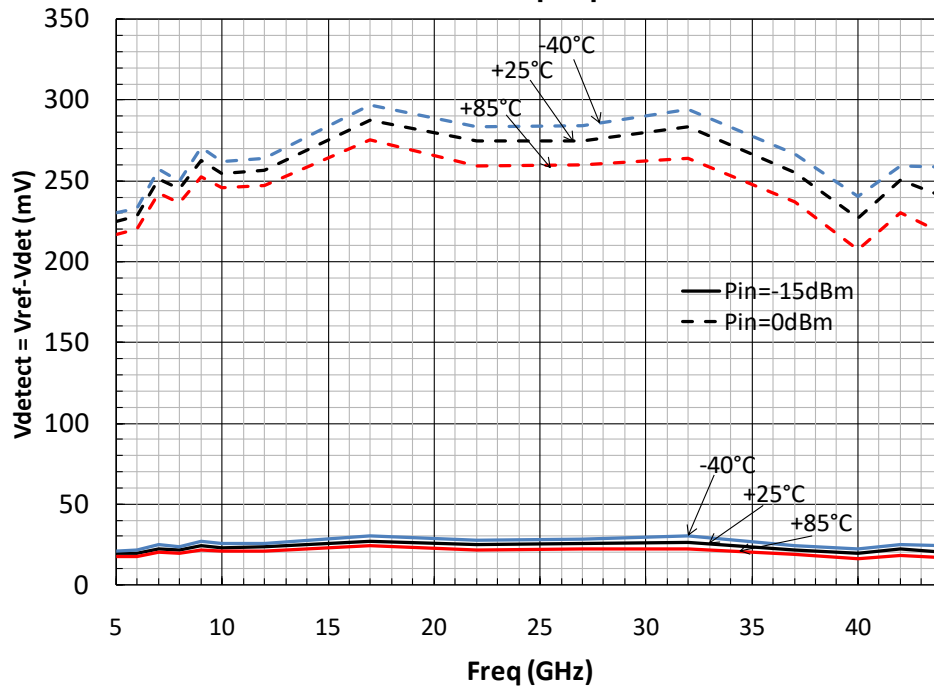


Typical Measured Performances

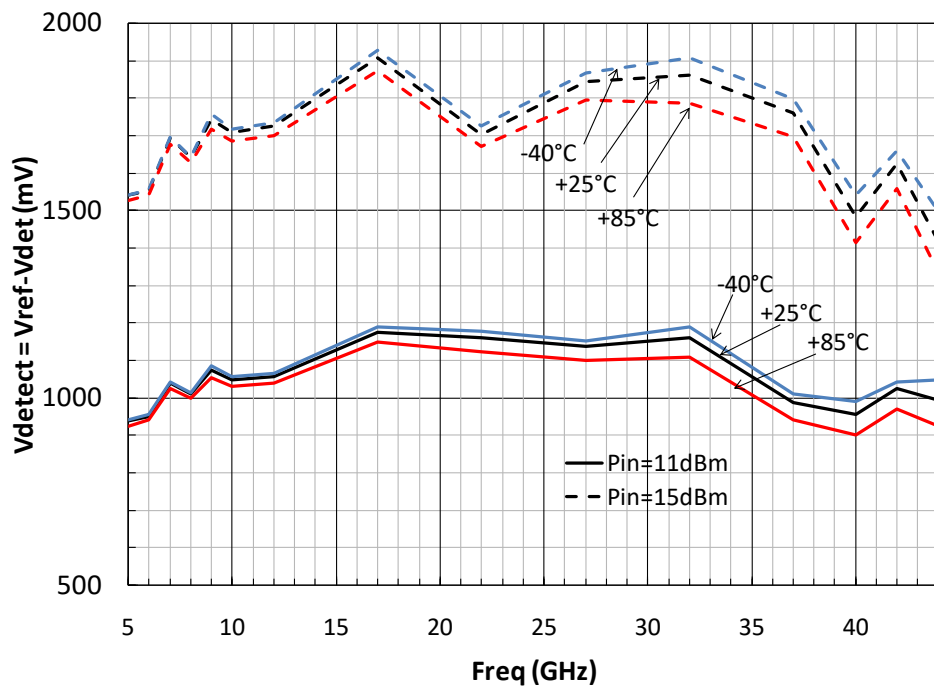
Tamb = +25°C, Tcold = -40°C, Thot = +85°C, VDC = +4.5V

Board losses not de-embedded (result given in the plan of connectors)

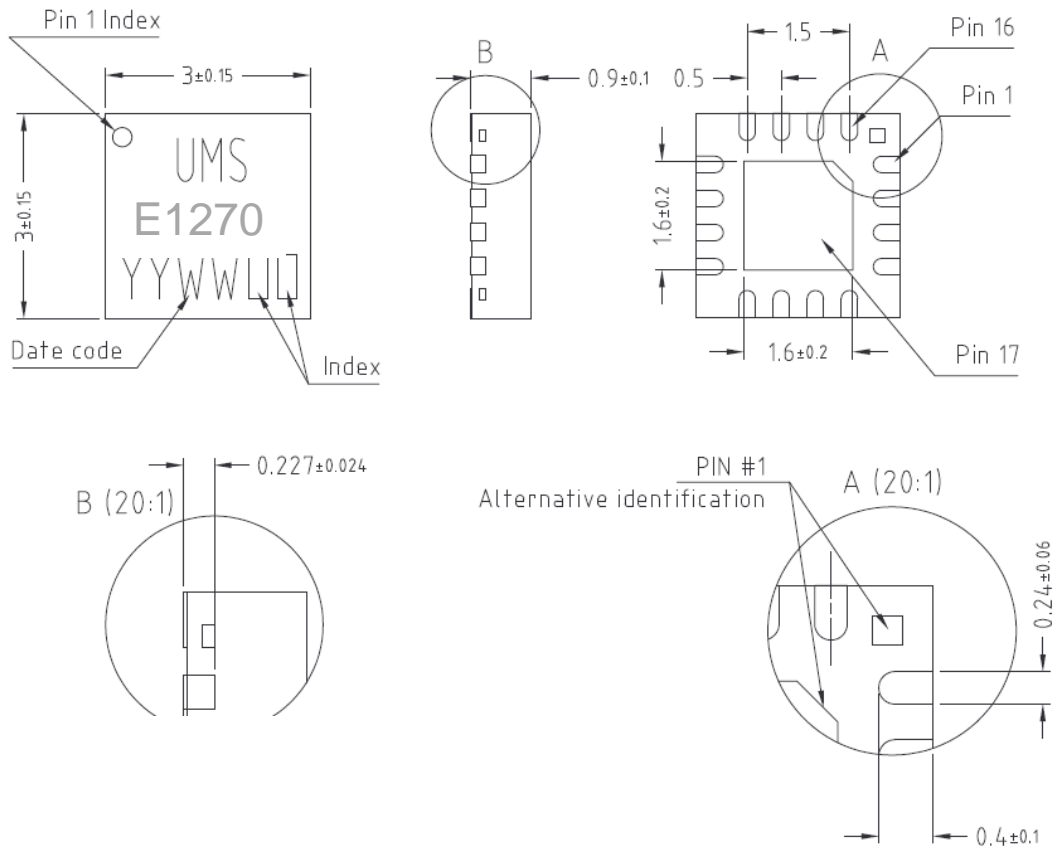
Transmitted power detection versus frequency and temperature @ -15 and 0dBm input power



Transmitted power detection versus frequency and temperature @ +11 and +15dBm input power



Package outline ⁽¹⁾



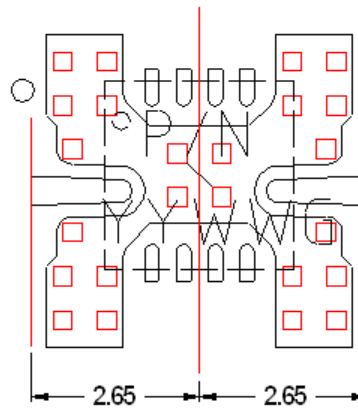
Matt tin, Lead Free	(Green)	1-	Nc	7-	Vref	13-	Nc
Units :	mm	2-	Gnd ⁽²⁾	8-	Nc	14-	Nc
From the standard :	JEDEC MO-220 (VGGD)	3-	RF in	9-	Gnd ⁽²⁾	15-	Nc
		4-	Gnd ⁽²⁾	10-	Nc	16-	Nc
	17-	GND	5-	Vdet	11-	Gnd ⁽²⁾	
			6-	DC	12-	Nc	

⁽¹⁾ The package outline drawing included to this data-sheet is given for indication. Refer to the application note AN0017 (<https://www.ums-rf.com>) for exact package dimensions.

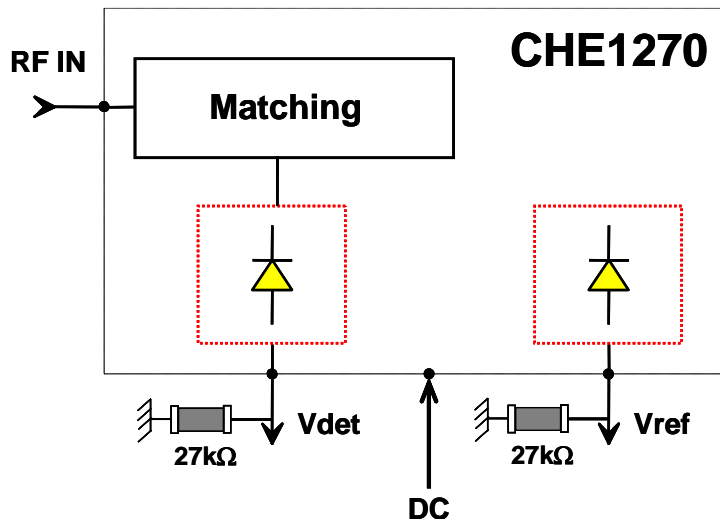
⁽²⁾ It is strongly recommended to ground all pins marked “Gnd” through the PCB board. Ensure that the PCB board is designed to provide the best possible ground to the package.

Definition of the Sij reference planes

The reference planes used for Sij measurements given above are symmetrical from the symmetrical axis of the package (see drawing beside). The input and output reference planes are located at 2.65mm offset (input wise and output wise respectively) from this axis. Then, the given Sij parameters incorporate the land pattern of the evaluation motherboard recommended in paragraph "Evaluation mother board".



Notes



Recommended external resistors assembly

27kΩ resistors in parallel with Vdet and Vref pads are recommended to provide the best behaviour in the whole operating temperature range.

As the voltage detection is the difference between Vref and Vdet, the external resistor value should be identical on these two ports.

For information, a variation of 3% leads around 1mV variation of detected voltage.

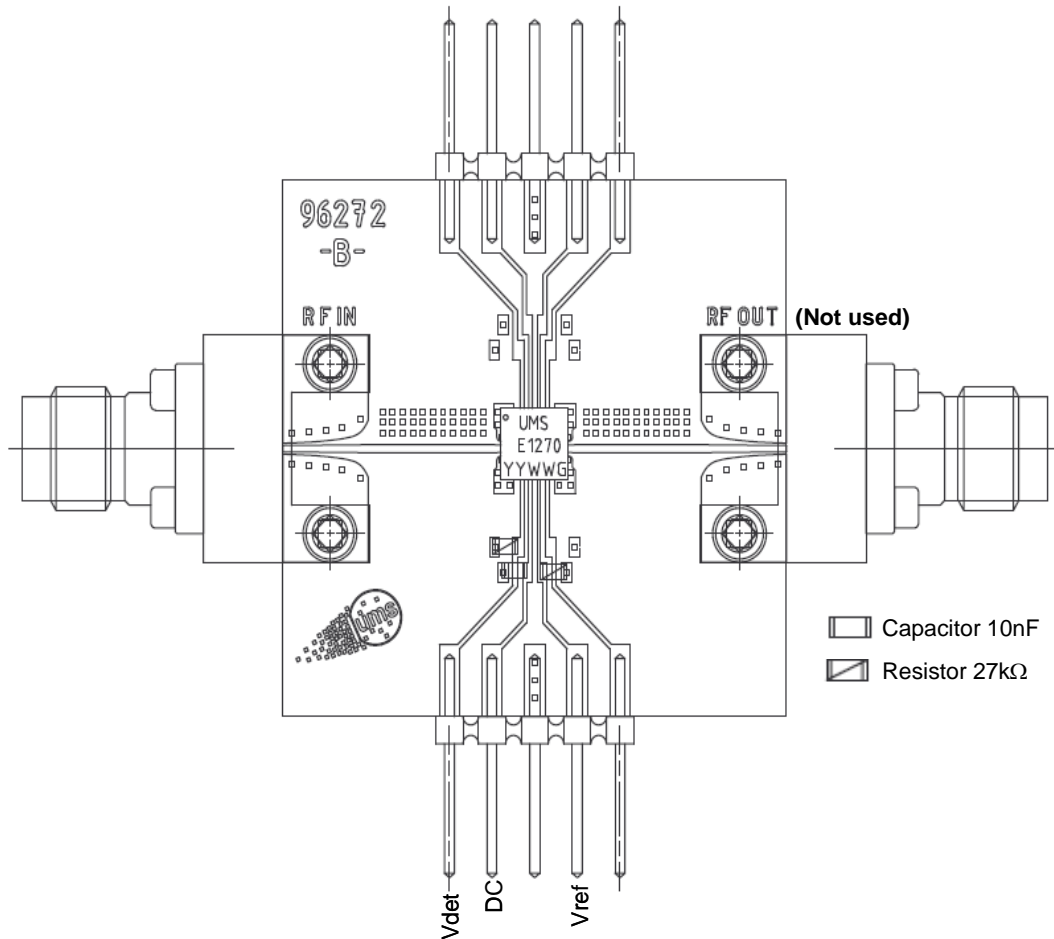
Due to ESD protection circuits on RF input, an external capacitance might be requested to isolate the product from external voltage that could be present on the RF access.

ESD protections are also implemented on Vdet and Vref accesses.

The DC connection (on DC pad) does not include any decoupling capacitor in package, therefore it is mandatory to provide a good external DC decoupling on the PC board, as close as possible to the package.

Evaluation mother board

- Compatible with the proposed footprint.
- Based on typically Ro4003 / 8mils or equivalent.
- Using a micro-strip to coplanar transition to access the package.
- Recommended for the implementation of this product on a module board.
- Decoupling capacitors of 10nF $\pm 10\%$ are recommended for all DC accesses.
- See application note AN0017 for details.



Recommended package footprint

Refer to the application note AN0017 available at <https://www.ums-rf.com> for package footprint recommendations.

SMD mounting procedure

For the mounting process standard techniques involving solder paste and a suitable reflow process can be used. For further details, see application note AN0017.

Recommended environmental management

Refer to the application note AN0019 available at <https://www.ums-rf.com> for environmental data on UMS package products.

Recommended ESD management

Refer to the application note AN0020 available at <https://www.ums-rf.com> for ESD sensitivity and handling recommendations for the UMS package products.

Ordering Information

QFN 3x3 RoHS compliant package:	CHE1270-QAG/XY	
	Stick: XY = 20	Tape & reel: XY = 21

Information furnished is believed to be accurate and reliable. However **United Monolithic Semiconductors S.A.S.** assumes no responsibility for the consequences of use of such information nor for any infringement of patents or other rights of third parties which may result from its use. No license is granted by implication or otherwise under any patent or patent rights of **United Monolithic Semiconductors S.A.S.**. Specifications mentioned in this publication are subject to change without notice. This publication supersedes and replaces all information previously supplied. **United Monolithic Semiconductors S.A.S.** products are not authorised for use as critical components in life support devices or systems without express written approval from **United Monolithic Semiconductors S.A.S.**